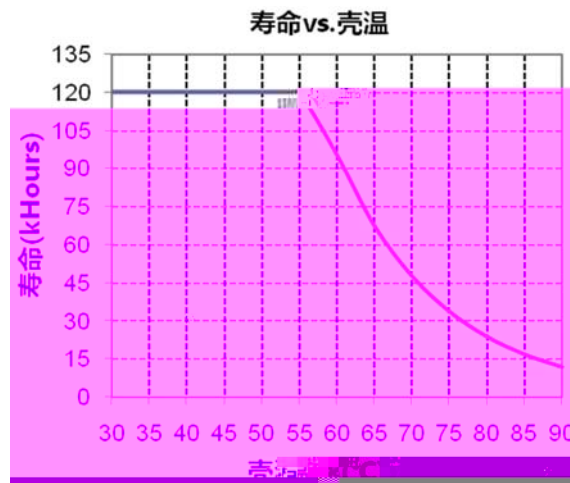


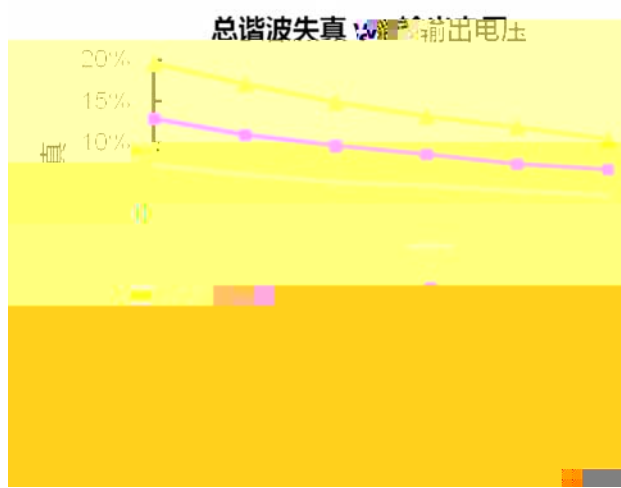
	+ . ? z	\$	- * ? z	
	-	-	0.70 mA	IEC60598-1; 240Vac/ 60Hz#
	-	-	2.5 A	(' ' % (' ' M̄ac
	-	-	1.1 A	(' ' %)) ' M̄ac
@k	-	-	1.5 A	

EMS	
EN 61000-4-2	Electrostatic Discharge (ESD): 8 kV air discharge, 4 kV contact discharge
EN 61000-4-3	Radio-Frequency Electromagnetic Field Susceptibility Test-RS
EN 61000-4-4	Electrical Fast Transient / Burst-EFT
EN 61000-4-5	Surge Immunity Test: AC Power Line: Differential Mode 4 kV, Common Mode 6 kV ⁽²⁾
EN 61000-4-6	Conducted Radio Frequency Disturbances Test-CS
EN 61000-4-8	Power Frequency Magnetic Field Test
EN 61000-4-11	Voltage Dips
EN 61547	Electromagnetic Immunity Requirements Applies To Lighting Equipment

Ž ž <D @ Ž ž <D @
 ž ž # & ž ž
 Ž @: - ' , O / \$ (\$ ' % ž

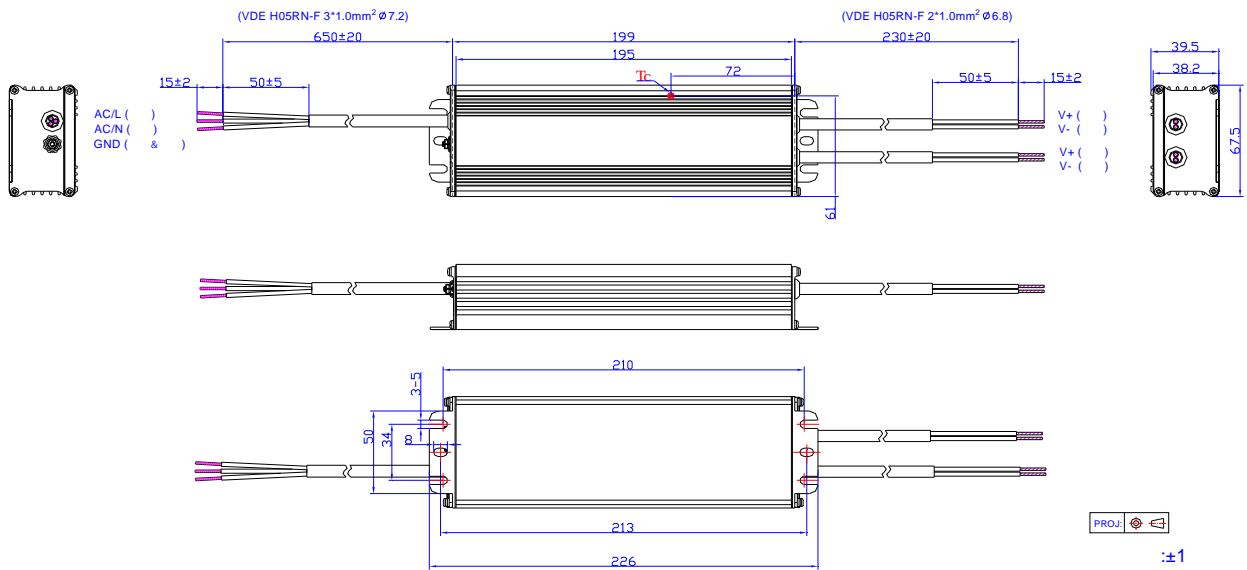


24V

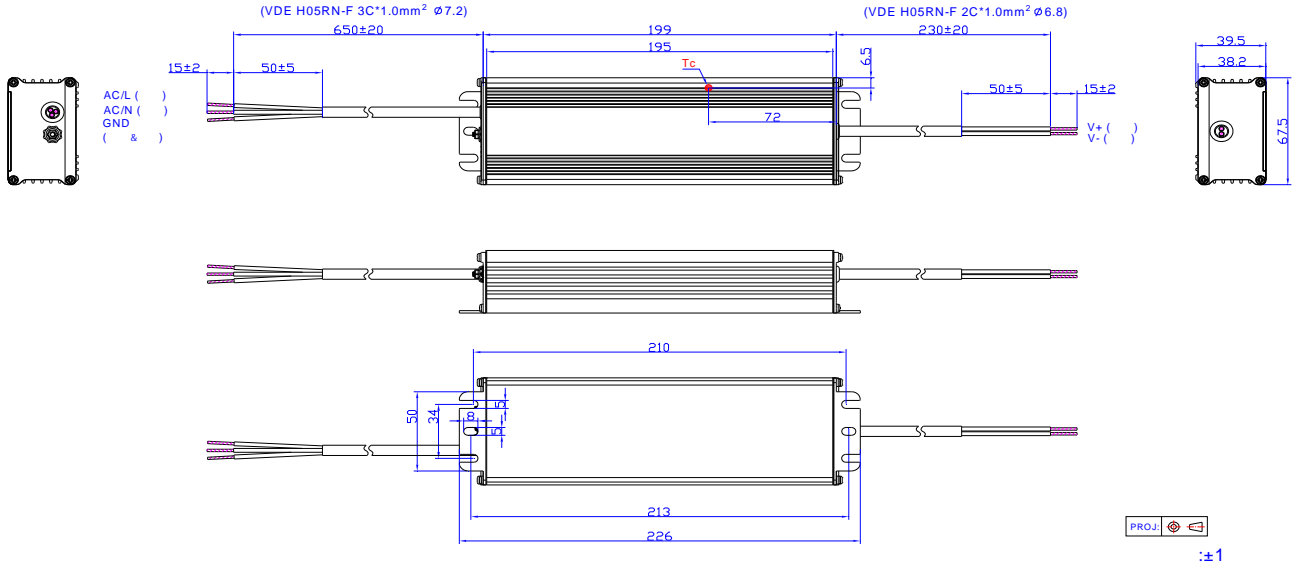


	120% Io	140% Io	200% Io	

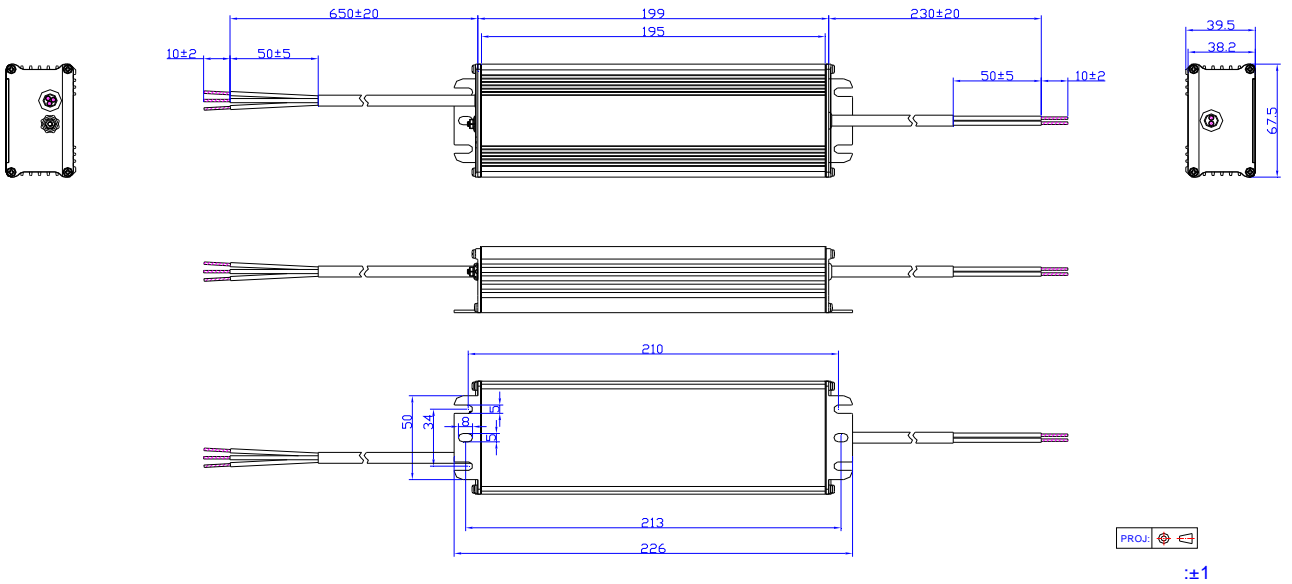
EUV-200S012SV



) (%mm) (' 8%))



EUV-200S024/048SV-3000



2012-02-28	A		&	&		
2012-06-12	B	$V_o = 42\text{ V}$ $V_o = 50\text{ V}$ $V_o = 52\text{ V}$ $V_o = 81\text{ V}$ $V_o = 105\text{ V}$	&			
			' % j	(% j	' % j	(% j
			' % j	' % j	' % j	(% j
		<L M) ' ' J', +JK 7 ((' Mac	&			(%
		&				
2012-7-12	C		&			

2012-7-12 E

2015-09-11	M		EUV-200S042SV	
			&	
			&	
			&	
			&	
2016-03-31	N	BJ	&	
			&	
			&	
2017-11-14	O	CCC	/	
			,	
			*	
		&		
			' %, %&:	' %, %&:
			&	
2019-03-12	P	:::	&	
		<E <:	&	
			&	
			*	
		\$	(' /' g	((, ' g
			&	

2020-01-06	Q	B: :	&	
			&	
			4kV 6kV	4kV 6kV
			CB	
			EN 55015/GB 17743 ⁽¹⁾	EN 55015/GB 17743/KN 15 ⁽¹⁾
			EN 61000-4-5	
			&	
		RoHS	&	
2020-03-09	R	BIS	&	
			+ -	
			BIS	
			EUV-200S024/048SV-3000	
)')(\$. \$(-	J		&	