

# INVENTRONICS

**EUV-096SxxxST**

Rev. L

- 90%
- 0.99
- 
- 4kV, 6kV
- IP67
- 
- class 2 SELV
- 5



EUV-096xxxST

96W IP67

90-305Vac

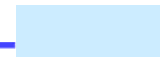
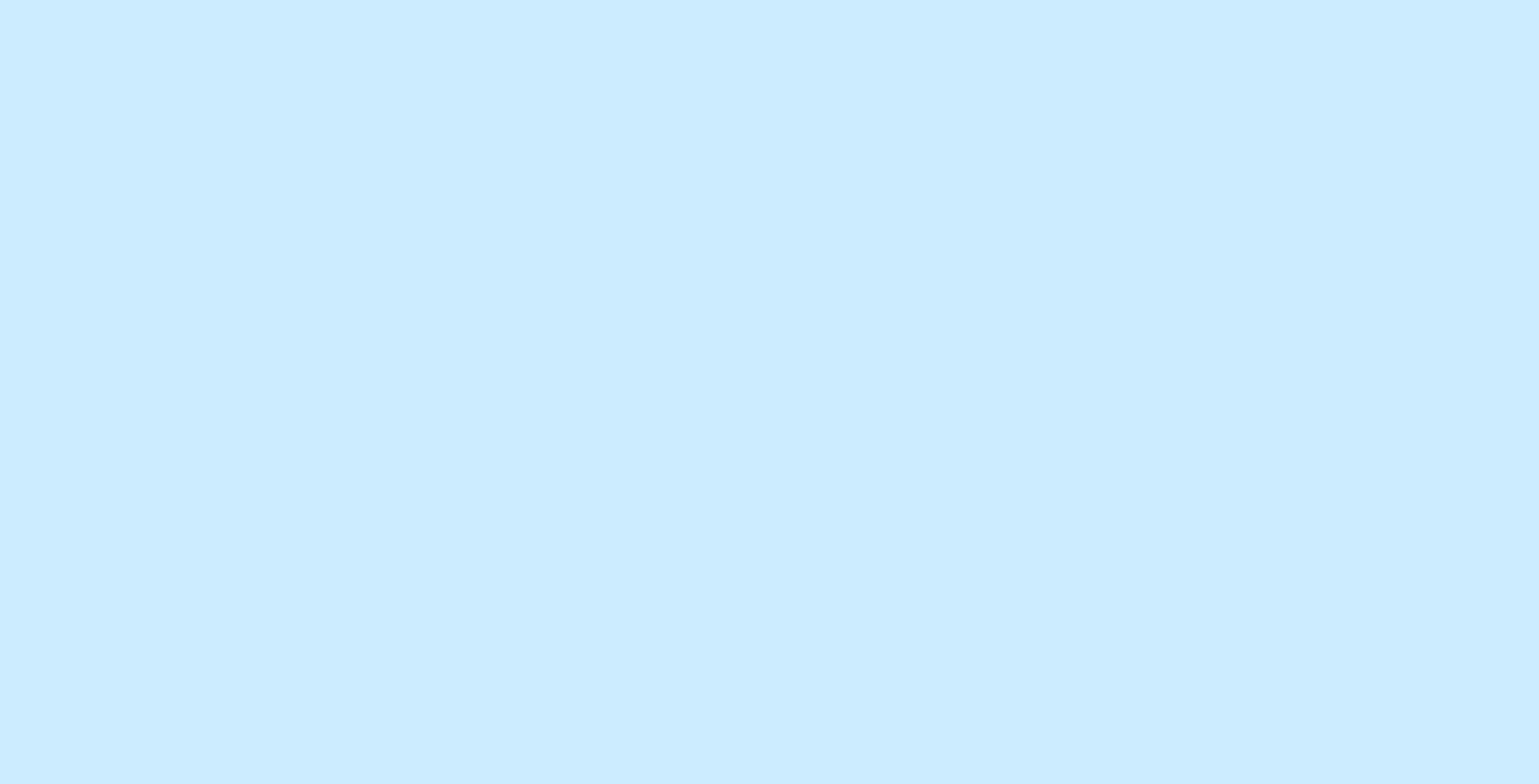

- 1 220Vac, 25 100%
- 2 Class 2 &
- 3 Class 2 ( ) Class 2
- 4 Class 2 &
- 5 Class 2
- 6 SELV

AC	90 Vac	-	305 Vac	

	47Hz	-	63 Hz	
	-	-		277Vac/ 60Hz
				100% 100Vac
	-	-		100% 220Vac
				220Vac 25 10%-10%
I <sup>2</sup> t				= 2mS
				100-277Vac, 50-60Hz, 75%-100%
				(72W-96W)

				: 20MHz 0.1uF 10uF
			±	/
			±	/
				120Vac 75% ~ 100%
				220Vac 75% ~ 100%
/				
				/ 1 A/uS : 25% ~ 75%
	-	0.03%/	-	=0°C ~Tc

-		o		

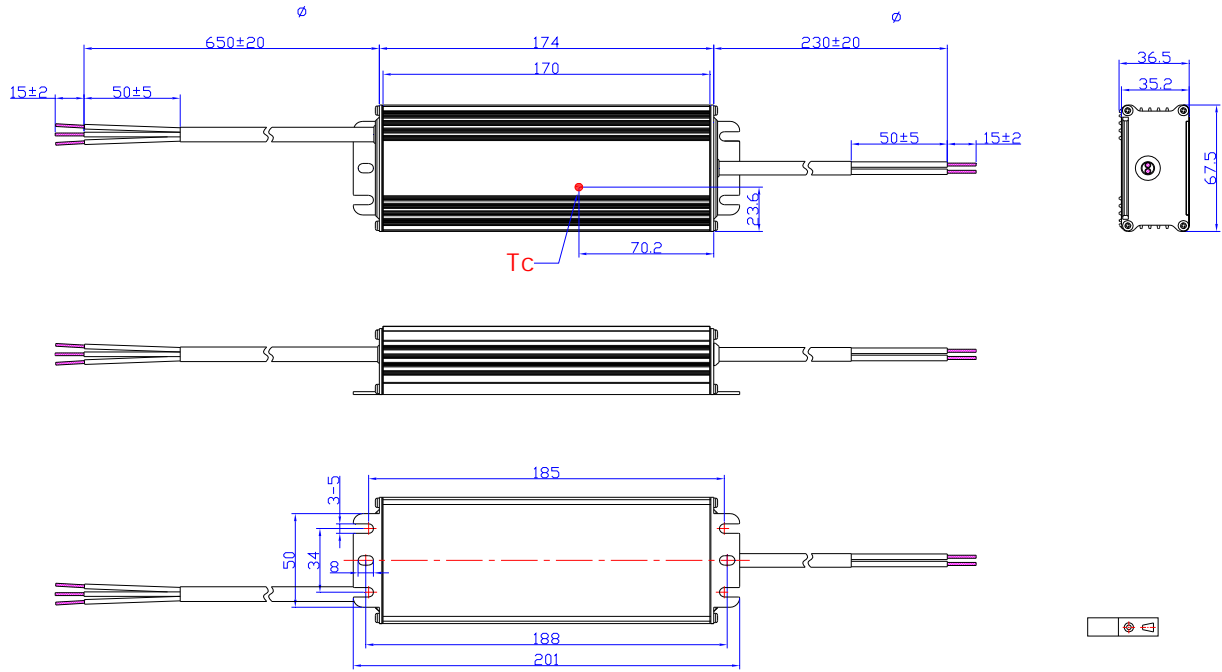


# INVENTRONICS

EUV-096SxxxST

Rev. L

---

RoHS 2011/65/EU

EU 2015/863

# INVENTRONICS

**EUV-096SxxxST**

**Rev. L**

---

2012-01-12	A		/	/
2012-5-17	B	-	/	1%

2012-06-08 C

# INVENTRONICS

**EUV-096SxxxST**

Rev. L

2018-10-26	J		/	
			/	
2019-09-20	K	KS	/	
		( / )	(72W-96W)	
			/	
			/	