

Features

- 347 Vac maximum working input voltage
- 15 kA ma

Description

The PY-20KS10KTTN is designed to be used in conjunction with LED Drivers to provide an additional level of surge and transient protection.

Models

Input Voltage Range	Nominal Discharge Current In(8/20 s)	I _{max}	Up (Max Clamped Voltage Level)	Internal Gas Discharge Tube	Indicator	Rated Load Current	Model Number	Certification
347 Vac	10 kA	15 kA	2000 V	N	N	/	PY-20KS10KTTN	UL
/	/	/	/	/	/	/	BRU-20KS10KT	(none – bracket)

Note: (1) The BRU-20KS10KT is a optional bracket which used to fix the surge protector to the housing and it can be ordered separately.

General Specifications

Parameter	Min.	Typ.	Max.	Notes
Rated Voltage	-	347 Vac	-	
Max. Continuous Operating Voltage (MCOV)	-	-	420 Vac	
Input Frequency	47 Hz	-	63 Hz	
Nominal Discharge Current In(8/20µs)	-	-	10 kA	
Number of Surges	15 kA	1	-	
	10 kA	15	-	
	3 kA	100	-	
	1 kA	500	-	

Environmental Specifications

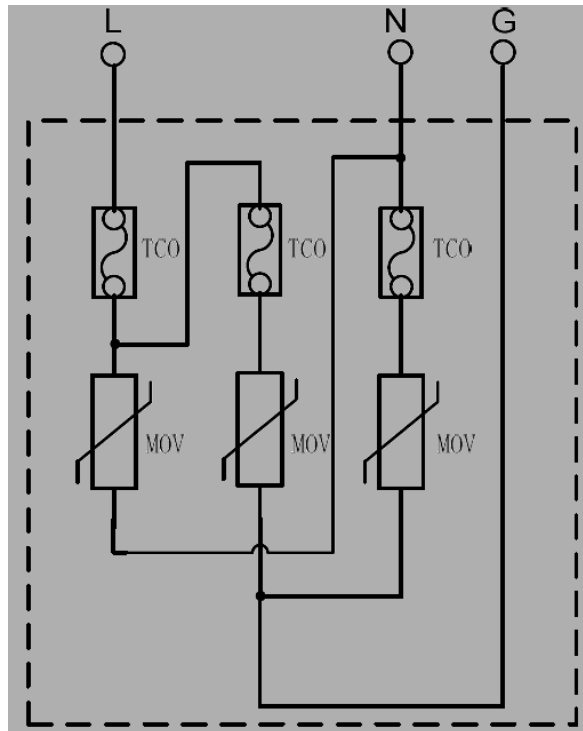
Parameter	Min.	Typ.	Max.	Notes
Operating Temperature	-40°C	-	+85°C	
Storage Temperature and humidity(≤24 hours)	-40°C	-	+85°C	Humidity: ≤ 75%RH
Recommended Storage Temperature and Humidity	-10°C	-	+40°C	Humidity: ≤ 75%RH

Safety & EMC Compliance

Safety Category	Standard
UL	UL 1449 : Transient Voltage Surge Suppressors
IEEE C62.41	Guide on the Surge Environment in Low-Voltage (1000 V and Less) AC Power Circuits

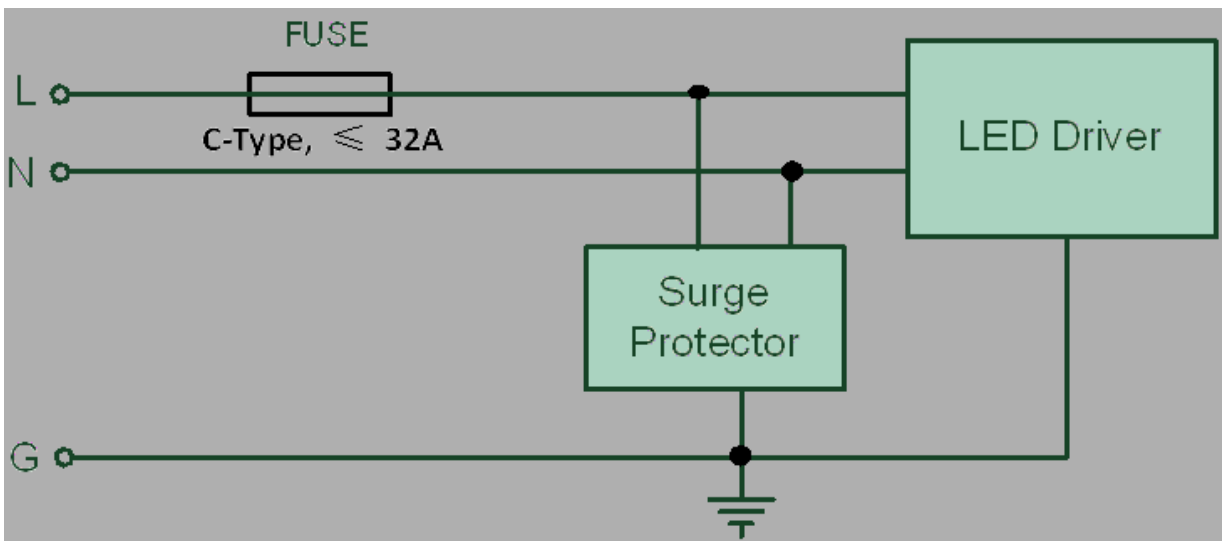
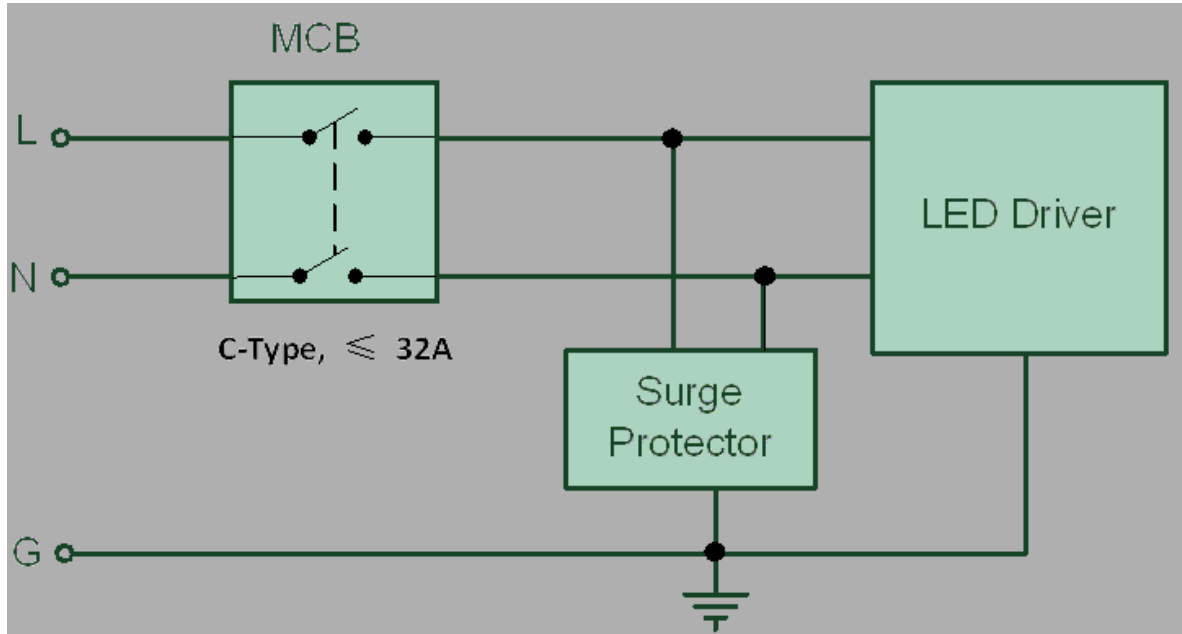
Schematic

PY-20KS10KTTN



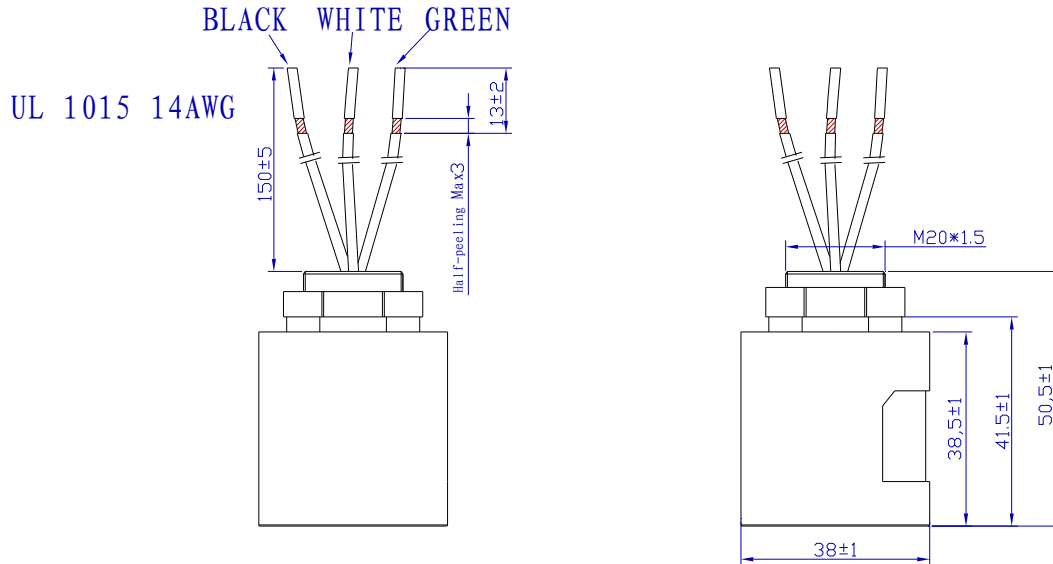
Wiring

PY-20KS10KTTN



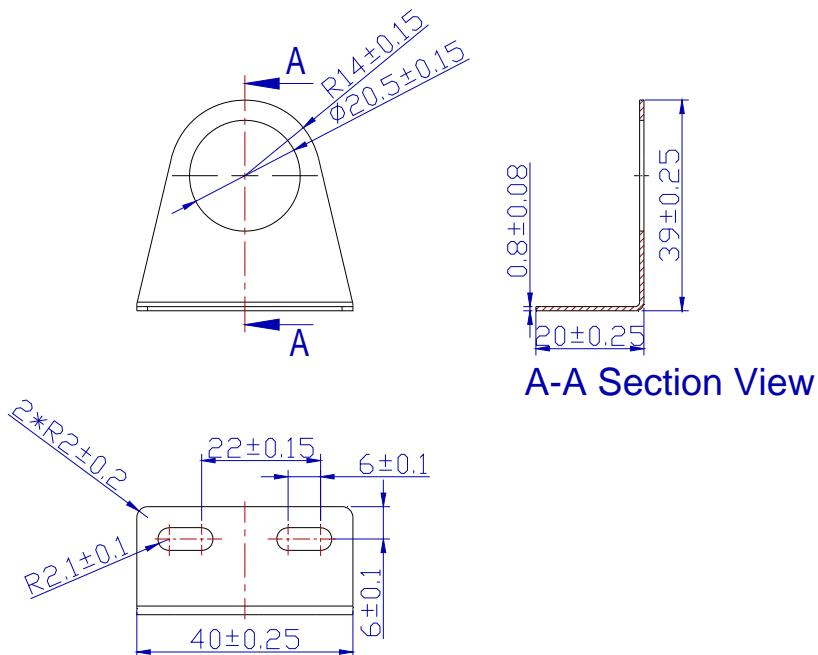
Mechanical Outline

PY-20KS10KTTN



Optional Bracket:

BRU-20KS10KT



Note: This device is used to fix the surge protector to the housing and it can be ordered separately.

Revision History

Change Date	Rev.	Description of Change		
		Item	From	To
2015-04-24	A	Datasheet Release	/	/