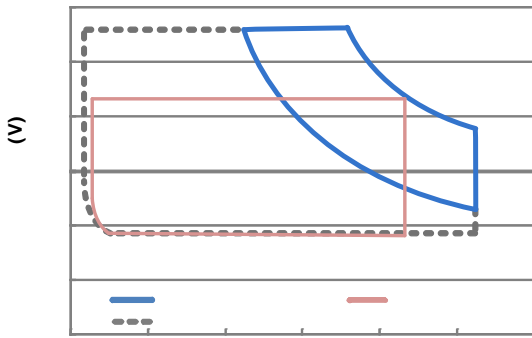


- 1 320W
- 2 277-480Vac
- 3 100% 480Vac " "
- 4 SELV
- 5 x=G UL ENEC x=T UL Class P

I-V

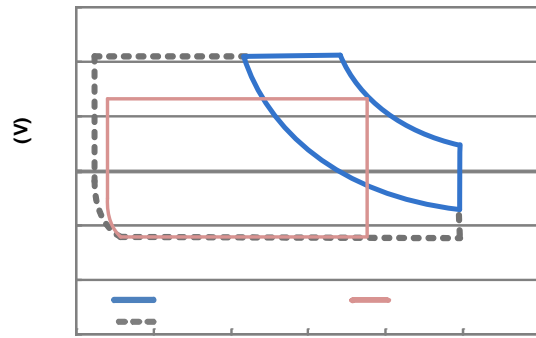
ESM-320S105Mx



(mA)

: 700mA loiset 1050mA

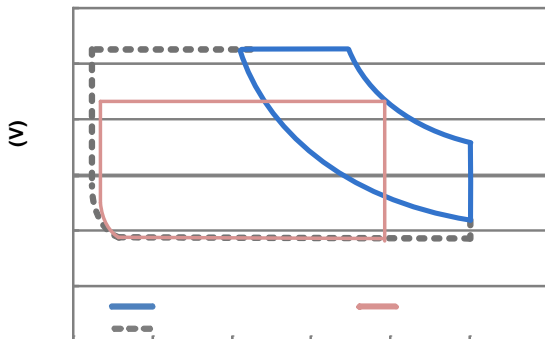
ESM-320S150Mx



(mA)

: 1050mA loiset 1500mA

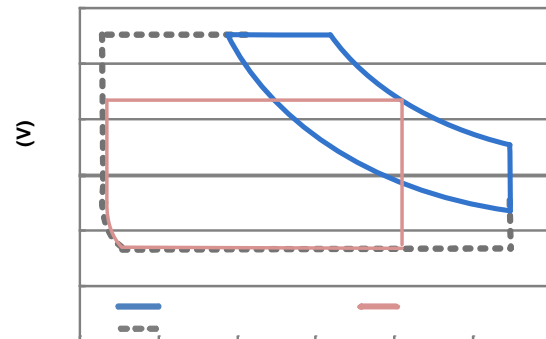
ESM-320S250Mx



(mA)

: 1750mA loiset 2500mA

ESM-320S500Mx



(mA)

: 2850mA loiset 5000mA

320W

	(pk-pk)			100%	20 MHz BW
	< 200Hz (pk-pk)			100%	
				100%	

				5
(L × W × H)	8.82 × 3.35 × 1.75			9.57 × 3.35 × 1.75
(L × W × H)	224 × 85 × 44.5			243 × 85 × 44.5

0-10V				
0-10V				
				0-10V

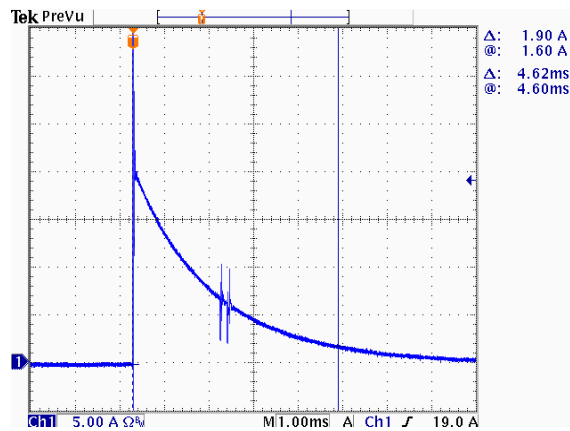
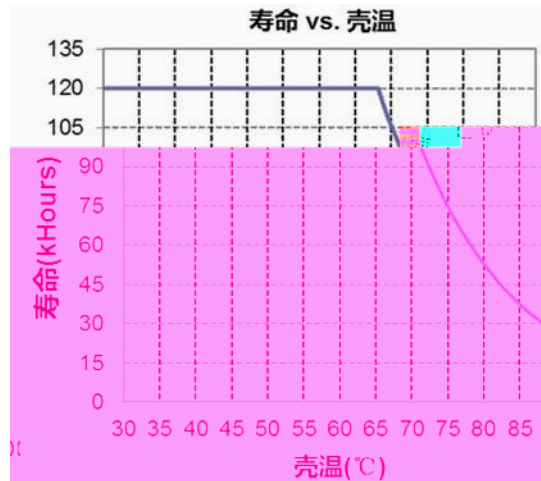
PWM				PWM
PWM				
PWM				
PWM				
PWM ()				
PWM ()				
PWM ()				
PWM ()				

EMI	
EMS	

EMS	

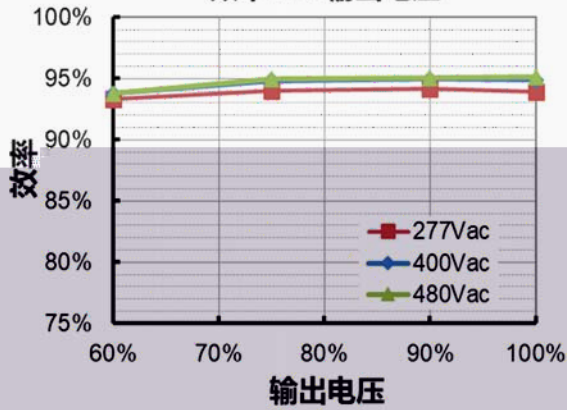
1 EMI

() EMI



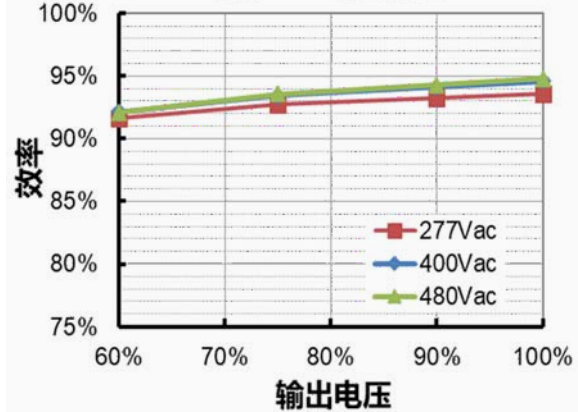
ESM-320S105Mx($I_o=700mA$)

效率 vs. 输出电压



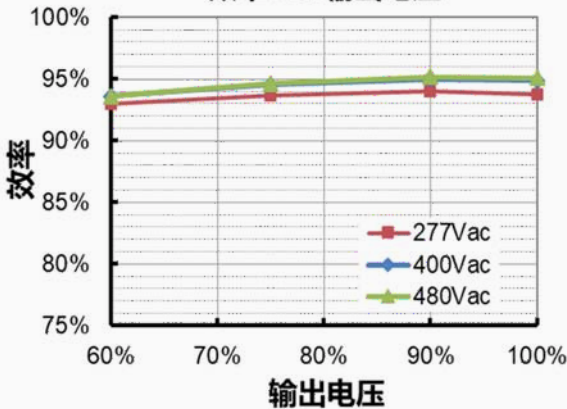
ESM-320S105Mx($I_o=1050mA$)

效率 vs. 输出电压



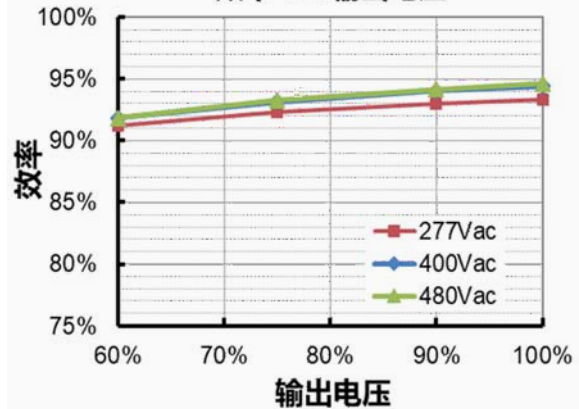
ESM-320S150Mx($I_o=1050mA$)

效率 vs. 输出电压



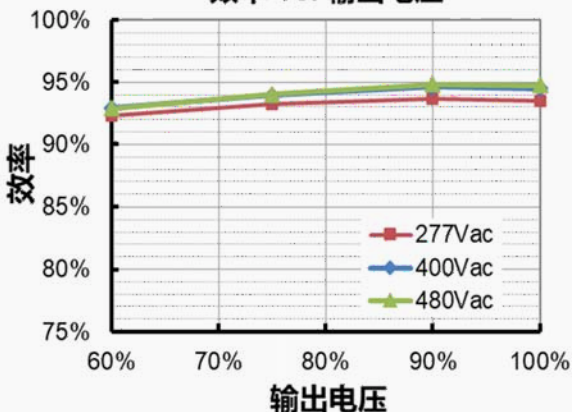
ESM-320S150Mx($I_o=1500mA$)

效率 vs. 输出电压



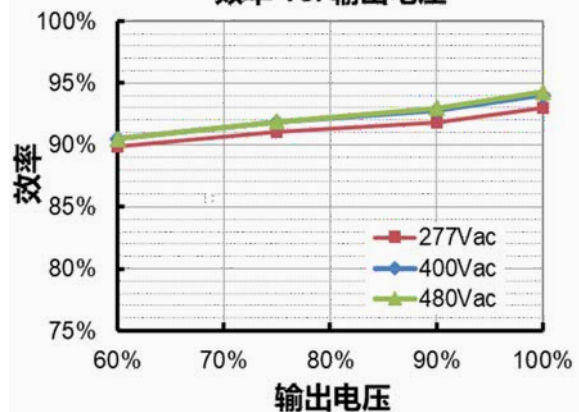
ESM-320S250Mx($I_o=1750mA$)

效率 vs. 输出电压



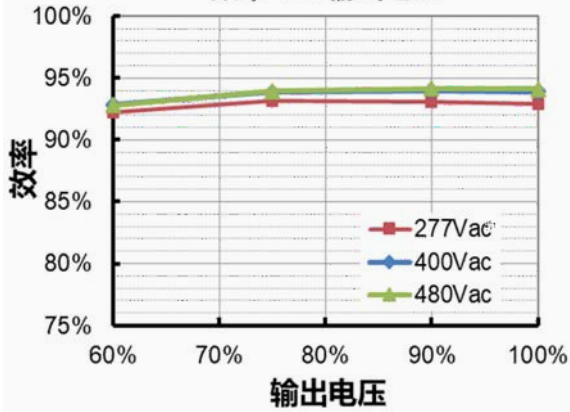
ESM-320S250Mx($I_o=2500mA$)

效率 vs. 输出电压



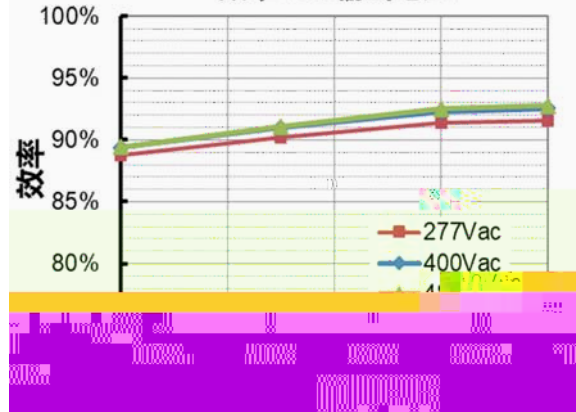
ESM-320S500Mx($I_o=2850mA$)

效率 vs. 输出电压



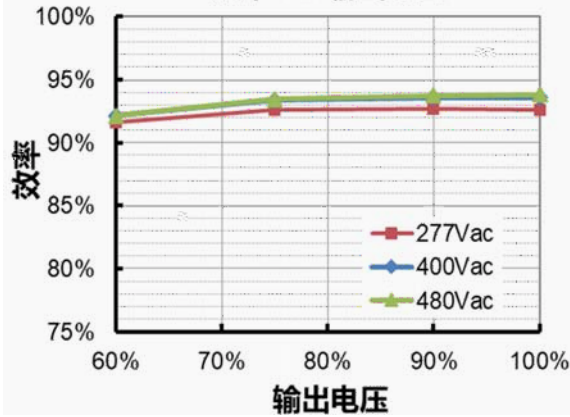
ESM-320S500Mx($I_o=5000mA$)

效率 vs. 输出电压



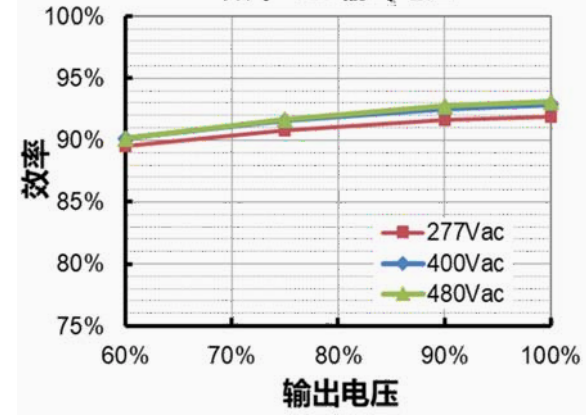
ESM-320S760Mx($I_o=5350mA$)

效率 vs. 输出电压

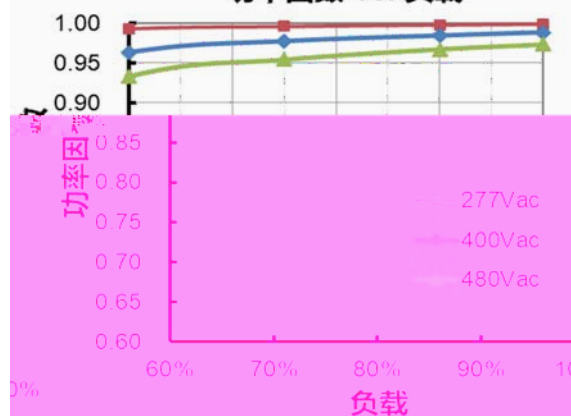


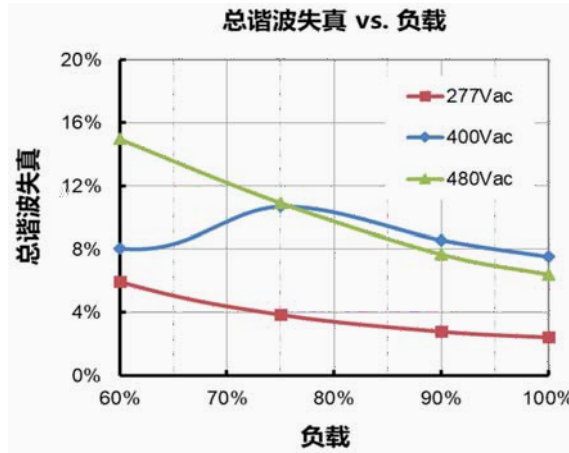
ESM-320S760Mx($I_o=7600mA$)

效率 vs. 输出电压

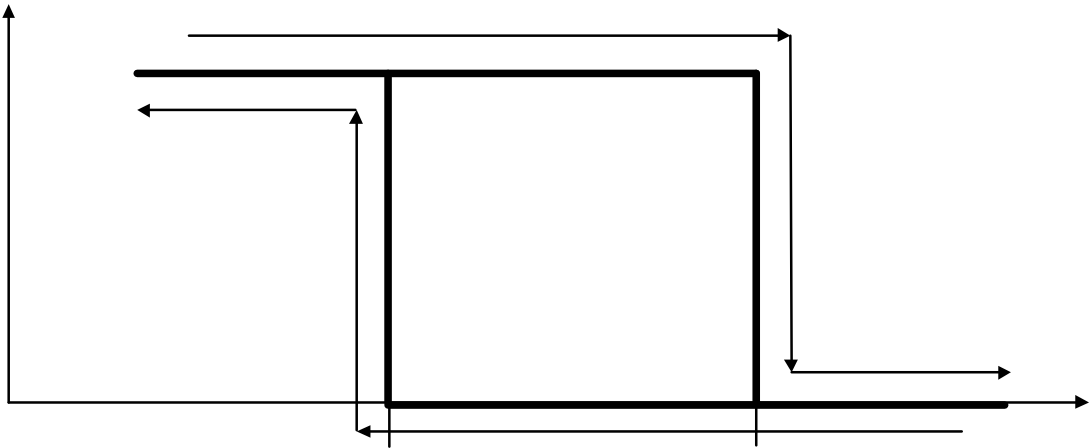
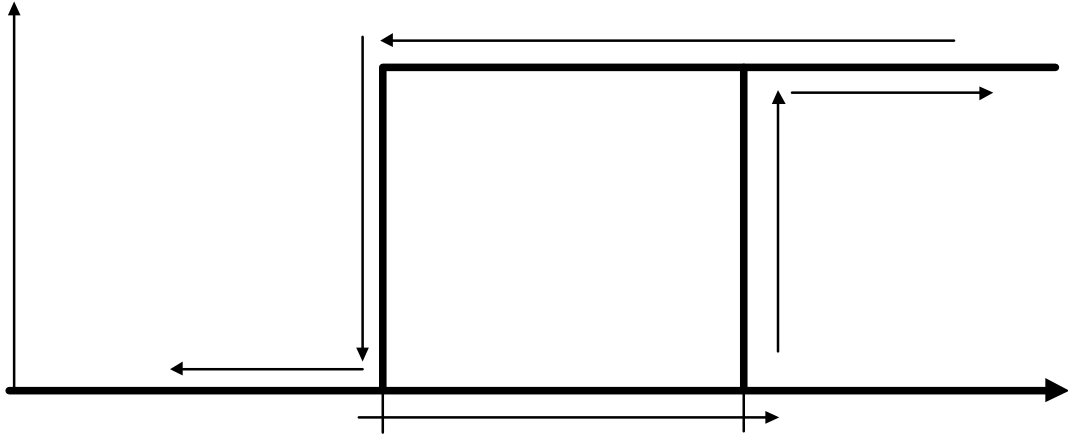


功率因数 vs. 负载

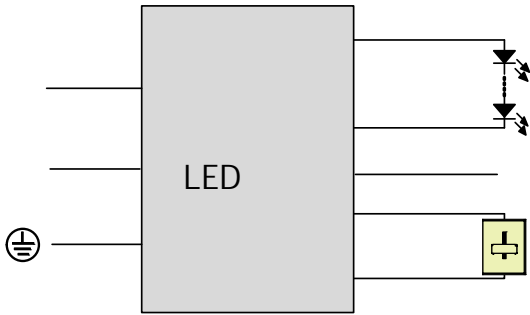




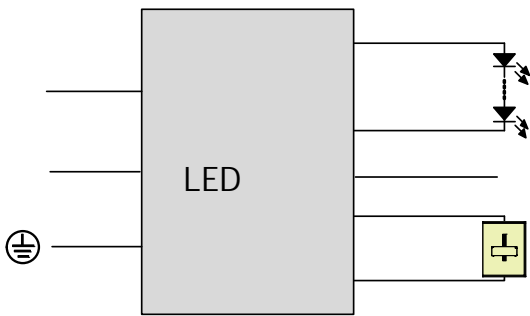
					590Vac 8



● 0-10V



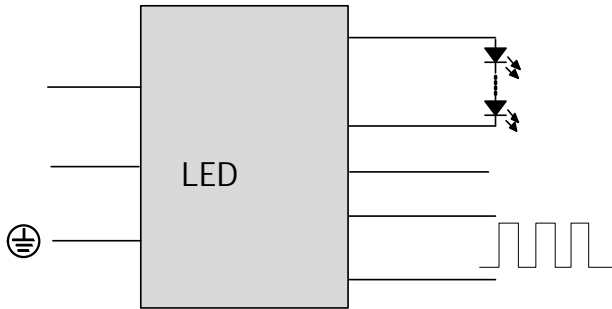
1



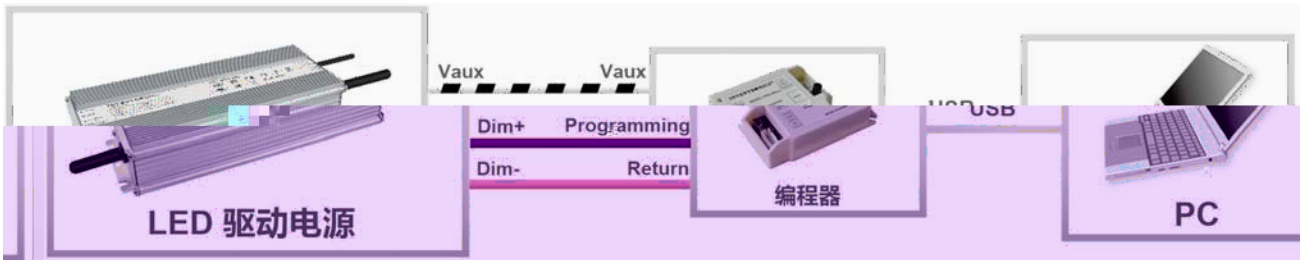
2

- 1. Dim- V- V+
- 2. 0-10V
- 3. 0-10V Dim+

- PWM

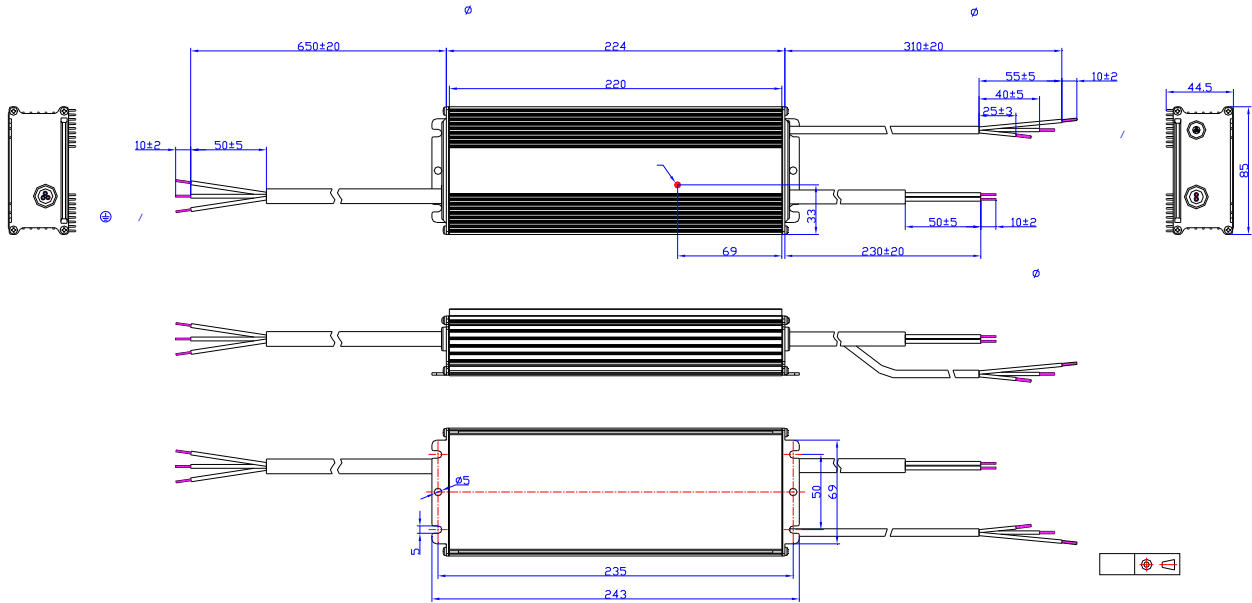


- LED LED LED LED
- LED LED LED 1
- LED UART T/CSA-051

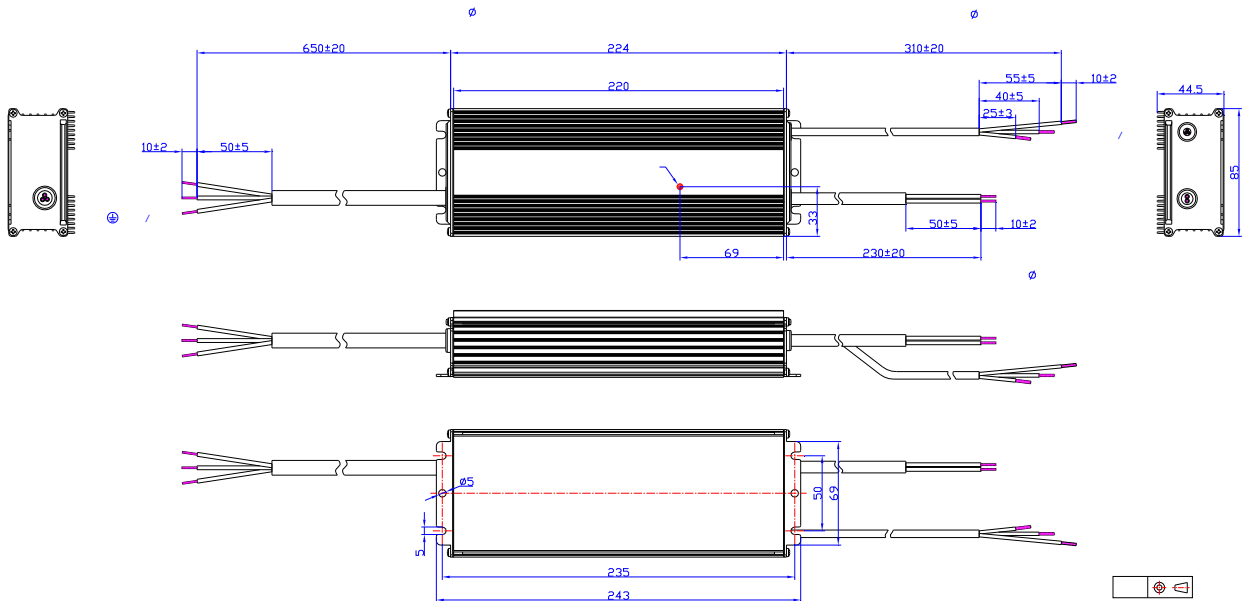


- [PRG-MUL2](#)

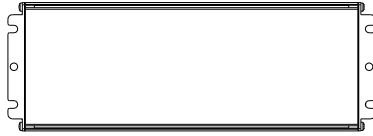
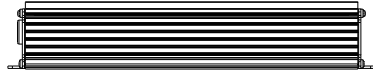
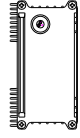
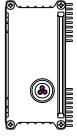
ESM-320S105MG/ESM-320S150MG



ESM-320S250MG/ESM-320S500MG/ESM-320S760MG



ESM-320S105MT/ESM-320S150MT



			/	
			/	
		UKCA / EAC	/	
			/	
			ESM-320SxxxMT	
			/	
			/	
			/	
			/	
			/	